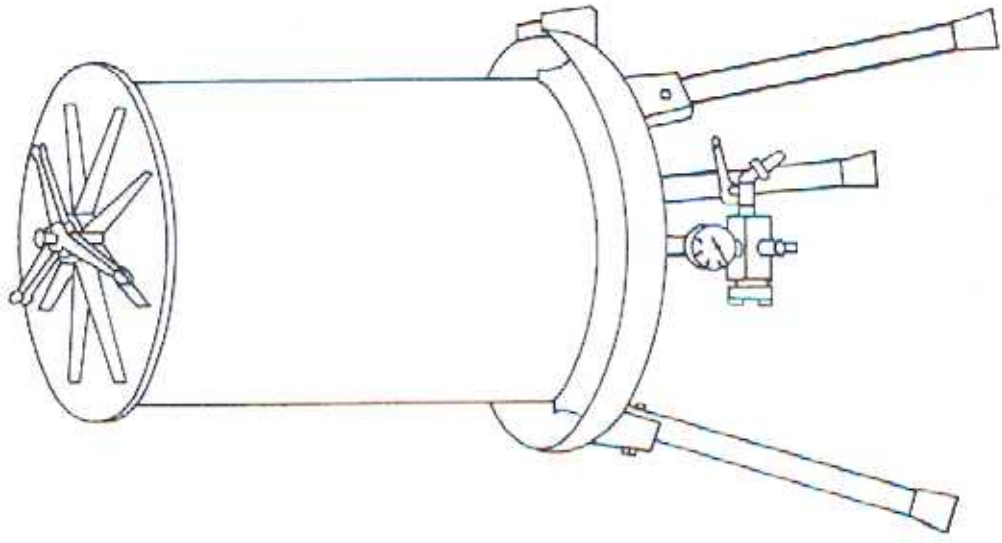


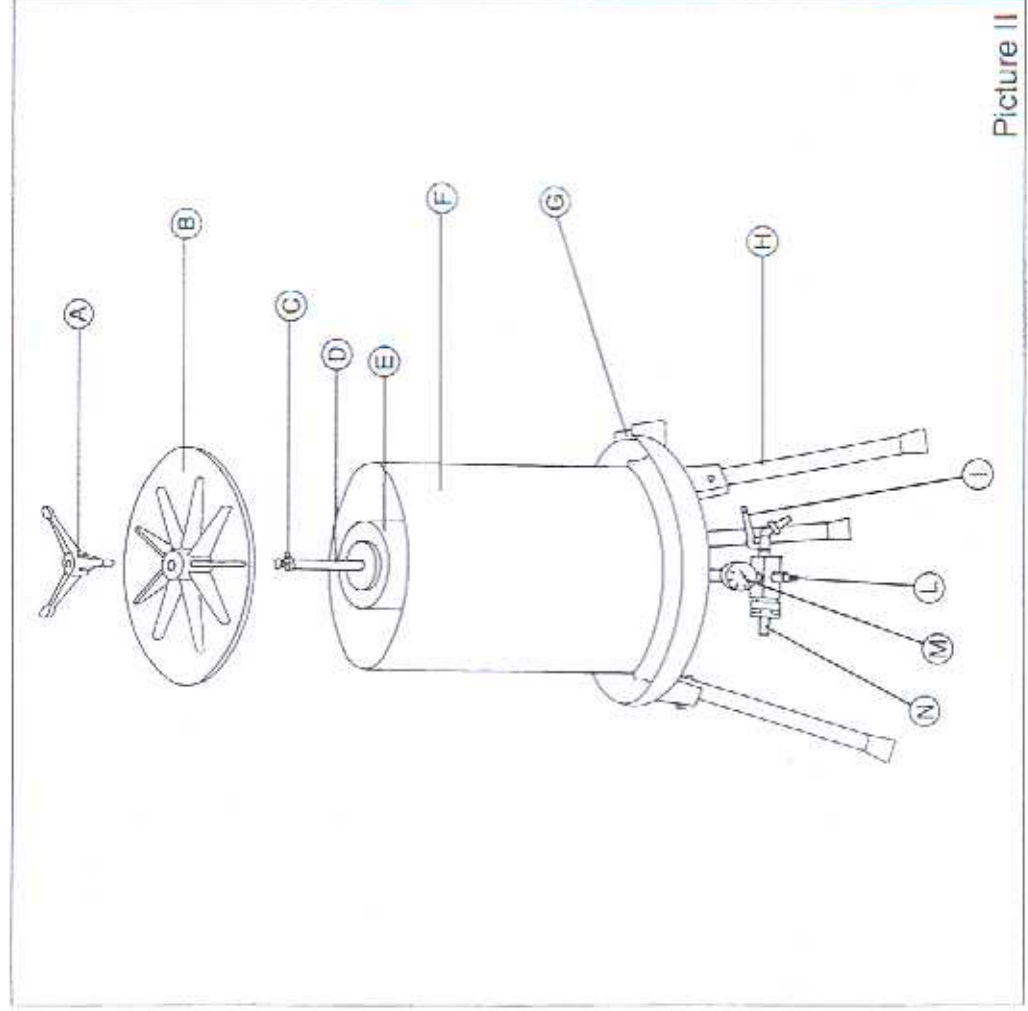
UPKEEP AND USE MANUAL

SPARE PARTS

Water press Art. 6



2) COMPONENT PARTS



Picture II

- A) Locking crank
- B) Cover
- C) Air-relief valve
- D) Central shaft
- E) Membrane
- F) Pierced cage
- G) Collecting base

- H) Supporting leg
- I) Emptying tap
- J) Safety valve
- M) Pressure gauge
- N) Discharge

3) SAFETY RULES

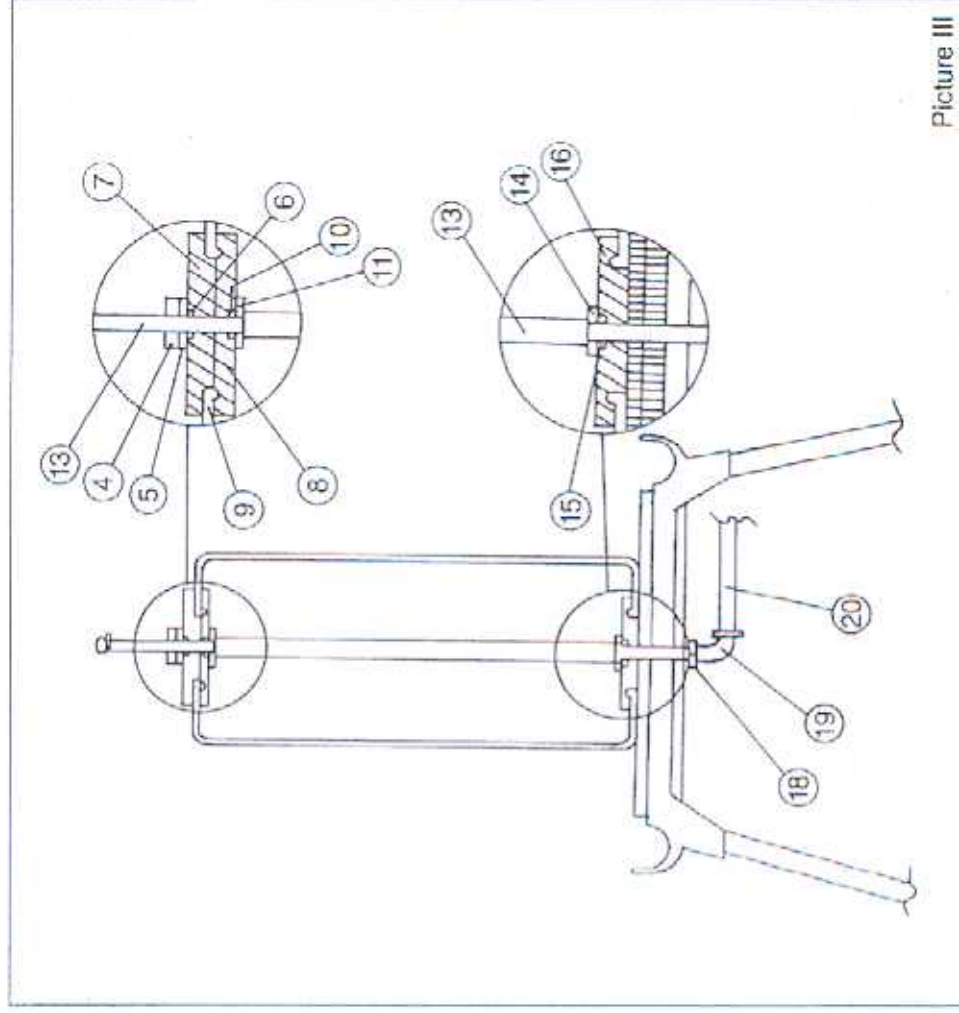
Improper use or incorrect upkeep may damage people or things. In order to prevent possible accidents, please pay attention to the following safety rules:

- 1) DIRECTIONS: It is advisable to use the water press only after having read this manual, which in case of loss can be available by
- 2) UTILISATION: Prevent children and unskilled people from using the water press.
- 3) POSITION: Locate the machine on a flat floor, in order to ensure its stability while working.
- 4) OPERATIONS: As pointed out on the cover casing (B), only water must be used.
- 5) IT IS FORBIDDEN to use air or other kinds of gas to inflate the pressing membrane (E). In case of bursting due to the use of air or another gas, the firm will decline all responsibility and claim for moral and image damages.
- 6) SAFETY VALVE: It is absolutely forbidden to cut out or tamper with the safety valve (L), which has already been set on three atmospheres. If the valve breaks or doesn't work any more, ask immediately the manufacturer or the authorised retailer for the corresponding spare part (before using the press again).
- 7) WARNING: Before inflating the membrane (E) with water make sure that the cage (F) is in its housing and that the cover (B) has been properly fixed in the cage (F), as well as the crank (A) has been completely screened on the cover (B).

4) OPERATING DIRECTIONS

- 1) **CLEANING:** Before starting to press it is advisable to clean thoroughly the pierced cage (F), the cover (B), the membrane (E) and the collecting base (G).
- 2) **CONNECTION:** Connect the water-main pipe (see picture 1) with the discharge (N) and connect another pipe to the water-press emptying tap (I).
- 3) **PRODUCT LOADING:** Unscrew the crank (A) and take off the cover (B). If you are going to use the gunny sack, put it into the cage (F) so that it fits closely to its inner wall. Load the product you are going to press by distributing it uniformly (this operation is very important), fold the gunny sack's rim inside the cage; put the cover (B) and screw it tight through the locking crank (A).
- 4) **AIR RELEASE:** Before turning on the delivery tap it is necessary to open the air-relief valve (C). Then you can turn on the tap. The air-relief valve has to be closed as soon as water starts coming out.
- 5) **EXTERNAL BAG:** It has to be used as anti-splash protection.
- 6) **PRESSING:** It takes place automatically, since the product is entirely pressed by the pressure acting inside the water pipe (until 3 atmospheres).
If there is a higher pressure the safety valve (L) starts immediately working by opening and blowing off the exceeding pressure.
- 7) **FINAL WORKING:** When you have finished pressing, close the water pipe and turn on the water-press emptying tap. After all water has been blown off, take off the cover, take out the pressing residue and repeat the operation from the beginning.
- 8) **ROUTINE MAINTENANCE:** The water press doesn't need a special kind of upkeep. Anyway, it is recommendable to keep the machine clean and to protect it from dust.

5) MEMBRANE'S REPLACEMENT



Picture III

To change the membrane observe carefully picture III and make following operations: take off locking nut 4, remove washer 5 and flange 7; unscrew connecting pipe 20, bend 19 and lower locking nut 18. Now you can take out shaft 13 and replace the membrane. By reassembling the machine it is advisable to follow the scheme and make sure that membrane's ribs have been fitted in flanges 8 and 16.

